

### ALCOVE SHOWER BASE

#### Product Features:

- Acrylic with fiberglass reinforcement
- Single threshold unit
- Textured bottom pattern
- Integral self-leveling base
- Integral three-sided, double tiling edge with water retention flange
- Molded-in flood guard
- PVC shower drain with stainless steel drain plate

**6032.STRH ALCOVE SHOWER BASE WITH RIGHT HAND DRAIN**

**6032.STLH ALCOVE SHOWER BASE WITH LEFT HAND DRAIN**

#### Nominal Dimensions:

1524 x 813 x 184mm  
(60" x 32" x 7-1/4")

**4832.ST ALCOVE SHOWER BASE**

#### Nominal Dimensions:

1219 x 813 x 184mm  
(48" x 32" x 7-1/4")

#### Compliance Certifications -

#### Meets or Exceeds the Following Specifications:

- ANSI Z124.2 for Plastic Shower
- ASTM E162 for Surface Flammability
- NFPA 258 for Smoke Density

#### To Be Specified - Required:

- Color: (specify American Standard fixture color)

#### To Be Specified - Optional:

- Metal Drain Plate:
- 751819-099 in Polished Brass  
or
  - 751819-295 in Satin Nickel



6032.STRH



4832.ST

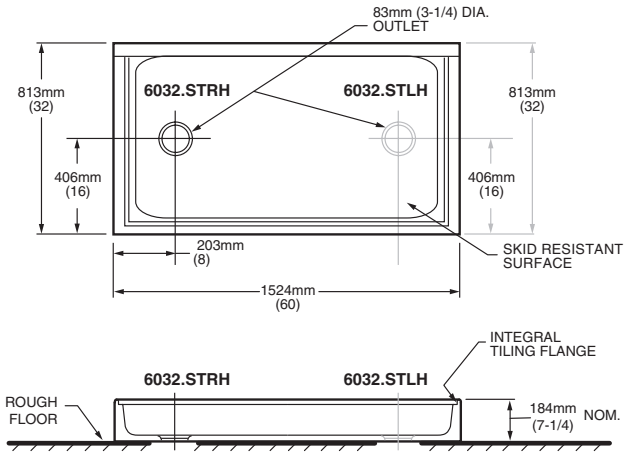
SEE REVERSE SIDE FOR ROUGHING-IN DIMENSIONS AND PRODUCT SPECIFICATIONS

#### NOTES:

REFER TO INSTALLATION INSTRUCTIONS SUPPLIED WITH SHOWER BASE FOR ADDITIONAL INFORMATION.

**IMPORTANT:** Dimensions of fixtures are nominal and may vary within the range of tolerances established by ANSI Standard Z124.1 / CSA. These measurements are subject to change or cancellation. No responsibility is assumed for use of superseded or voided pages.

**6032.STRH  
6032.STLH**



**4832.ST**

